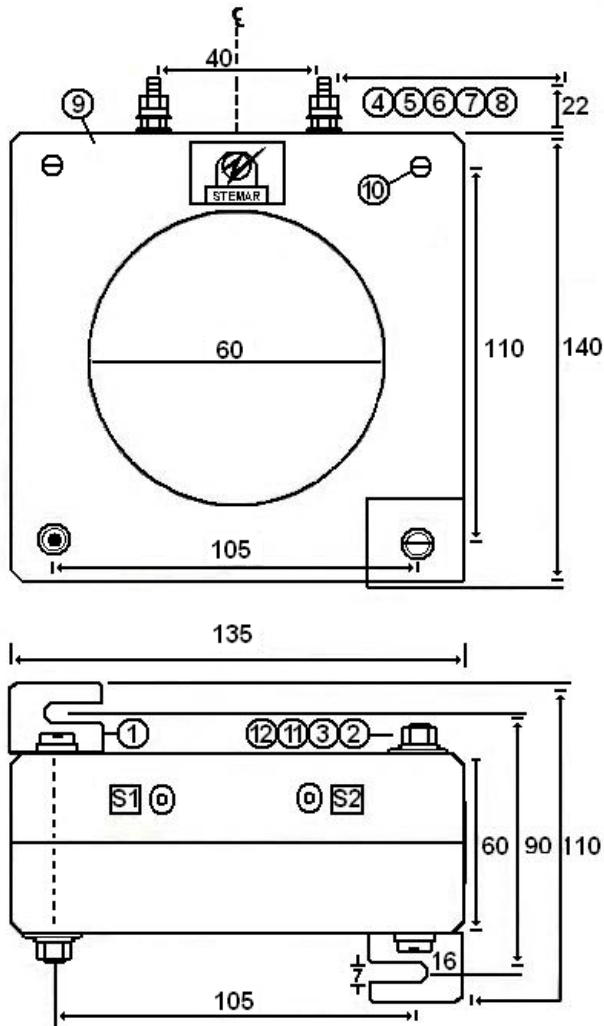




**Electrical Products**  
Let your need be our challenge

**Dimensional Drawing – Startco CT’s**  
**Type: EFCT5RF**



**NOTE**

- (1) 22- Maximum height of terminals
- (2) Items 1, 2, 3, 11 & 12 to be packed together and not fitted unless specified on W/O.

12	2	M4 Full Nuts Z/P
11	2	M4 Spring Washers S/S #304
10	4	32mm Flared Aluminum Rivets
9	2	DMC60 – 15mm Shells (Black)
8	2	M5 Full Nut N/P
7	2	M5 Spring Washer S/S #304
6	2	M5 Flat Lock Nut N/P
5	6	M5 Flat Washers N/P
4	2	M5 Termination Screws N/P 6-0235-A4
3	4	M4 Flat Washers Z/P
2	2	M4x70 Posidriv 1A Recess Hd MTS z/p
1	2	Steel Angle Foot Bracket Z/Ps 6-0236-A4
ITEM	QTY	DESCRIPTION

<b>HOUSING:</b>	High Impact glass reinforced polyester
<b>SYSTEM VOLTAGE:</b>	1100 Volts
<b>SYSTEM FREQUENCY:</b>	50Hz
<b>TEST VOLTAGE:</b>	
<b>POWER FREQUENCY:</b>	3Kv RMS for 1 minute
<b>lth:</b>	60/100 times for 1 sec
<b>INSULATION:</b>	Class E
<b>SERVICE TEMPERATURE:</b>	-20c to 120c
<b>STANDARDS TEMPERATURE:</b>	The EFCT range of Current Transformers complies with the following Standards <b>AS 1675:1986, AS 60044-1:2003 &amp; IEC 60044-1:2003</b>



**Stemar Electrical Products** Pty. Ltd.

ABN 13 067 330 269

243 Milperra Road  
P.O. Box 538  
Revesby NSW 2212  
Australia

Telephone: (61 2) 9771 2100  
Fax: (61 2) 9774 5585  
Email: sales@stemar.com.au  
Web: www.stemar.com.au

