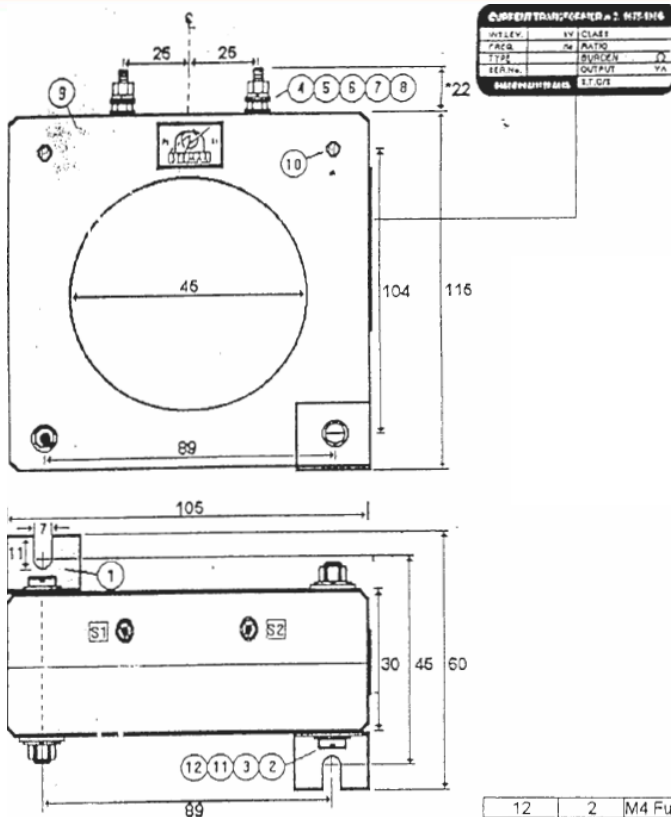




Electrical Products
Let your need be our challenge

Dimensional Drawing – Startco CT's
Type: MPU45
Ratio: 200/1 to 500/1



CURRENT TRANSFORMER # 2 MPU45			
WVLEV	WV CLASS		
PRG	MR	RATIO	
TYPE	BURDEN	VA	
SER No.	OUTPUT	VA	
DATE/PRICE	ST/CT		

12	2	M4 Full Nut Z/P
11	2	M4 Spring Washer Z/P
10	4	32mm Flared Aluminium Rivets
9	2	DMC45 - 15mm Shells (Black)
8	2	M5 Full Nut N/P
7	2	M5 Spring Washer S/S #304
6	2	M5 Lock Nut N/P
5	6	M5 Flat Washer N/P
4	2	M5 Termination Screws N/P 8-0235-A4
3	4	M4 Flat Washer Z/P
2	2	M4x40 Posidriv 1A Recess Hd MTS z/p
1	2	Brass Angle Foot Bracket 6-0234-A4
ITEM	QTY	DESCRIPTION

NOTE:
[1] Maximum height of terminals
[2] Items 1,2,3,11 & 12 to be packaged together and not fitted unless specified on works order.

HOUSING: High impact glass reinforced polyester
SYSTEM VOLTAGE: 1100 Volts
SYSTEM FREQUENCY: 50Hz
TEST VOLTAGE:
POWER FREQUENCY: 3kV RMS for 1 minute
 60/100 times for 1 sec
Ith
INSULATION: Class E
SERVICE TEMPERATURE: -20c to 120c
STANDARDS TEMPERATURE: The MPU range of Current Transformers complies with the following Standards
AS 1675:1986 & AS 60044-1:2003
IEC 60044-1: 2003



Stemar Electrical Products Pty. Ltd.

ABN 13 067 330 269

77 Carrington Street
P.O. Box 538
Revesby NSW 2212
Australia

Telephone: (61 2) 9771 2100
Fax: (61 2) 9774 5585
Email: sales@stemar.com.au
Web: www.stemar.com.au

